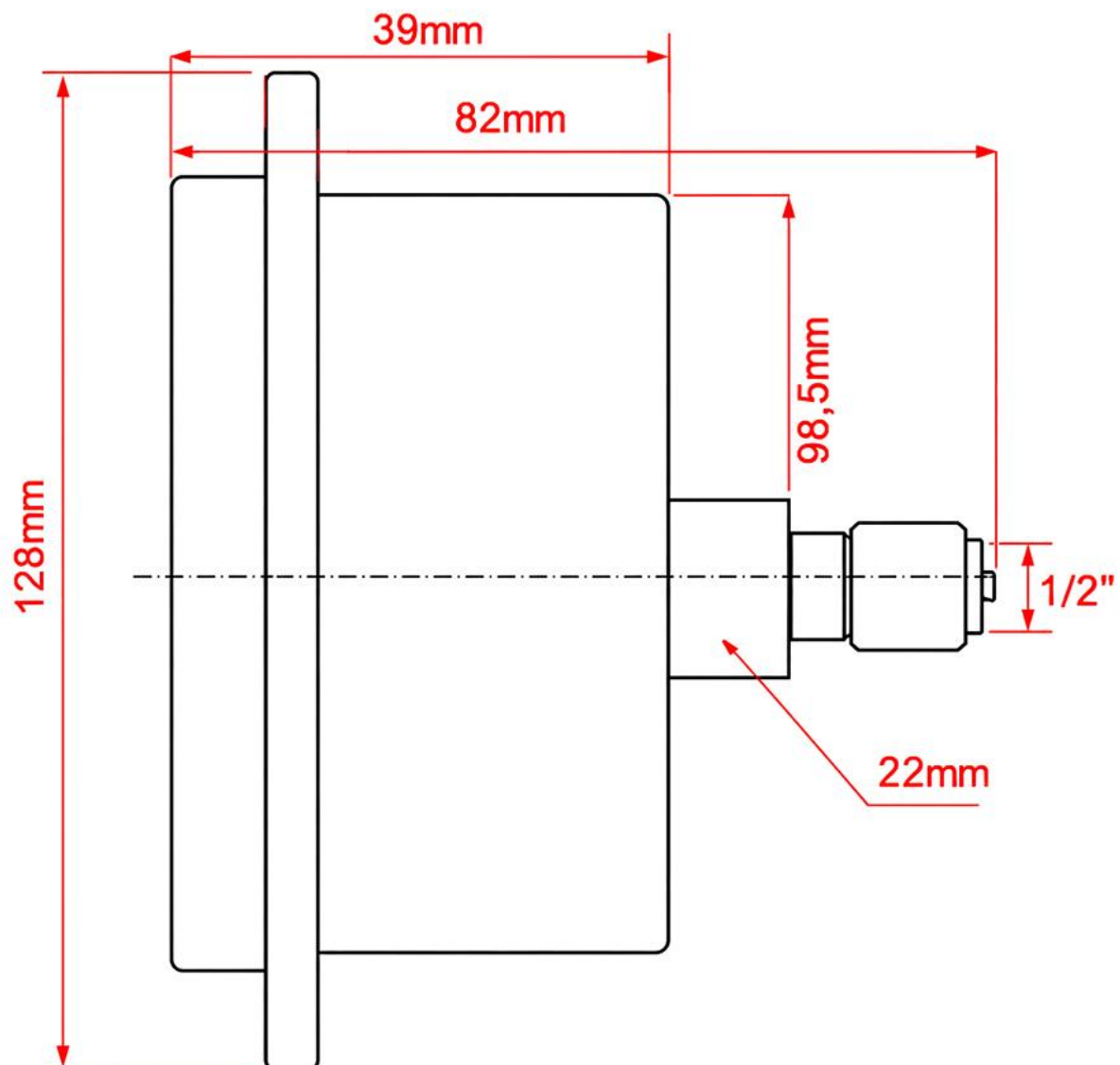


DIMENZIJE - TEHNIČNI LIST

DIMENSIONS - TECHNICAL DATA SHEET

MANOMETER DN100 REAR



ŠIFRA / CODE	NAVOJ / THREAD [" BSP]	SKALA / SCALE [bar]	MATERIAL
12209	1/2	0-1	Ohišje / Case: nerjaveče jeklo 304 / stainless steel 304
12210	1/2	0-2.5	
12211	1/2	0-4	
12212	1/2	0-6	Obroč / Ring: nerjaveče jeklo 304 / stainless steel 304
12213	1/2	0-10	
12215	1/2	0-16	
12217	1/2	0-25	Steklo / Window: polikarbonat (steklo) / polycarbonate (glass)
12218	1/2	0-40	
12219	1/2	0-60	
12220	1/2	0-100	Priključek / Socket & Connection: medenina / brass
12221	1/2	0-160	
12222	1/2	0-250	
12223	1/2	0-315	
12224	1/2	0-400	
12225	1/2	0-600	

Natančnost / Accuracy: 1,6%

Temperaturno območje / Temperature: -10 - +60



SKALA / SCALE

